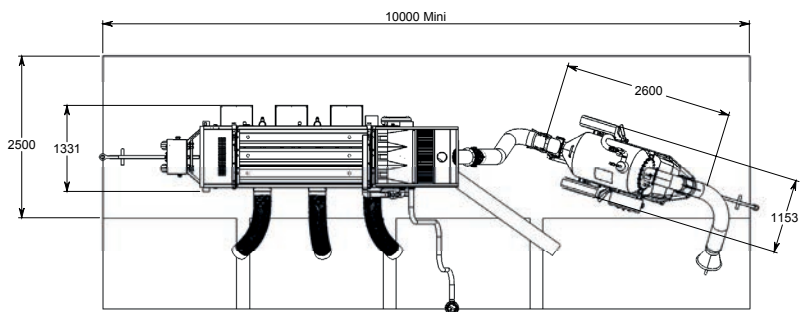
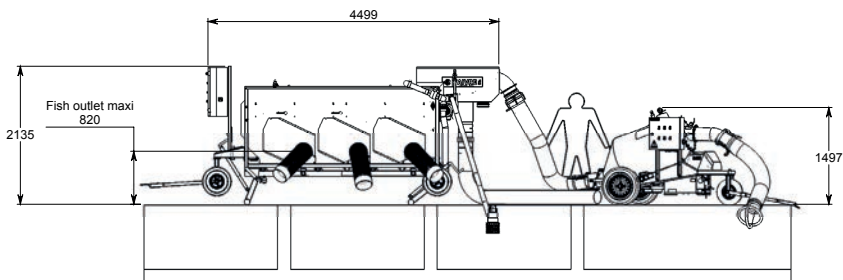


● **Pescavac 8**



● **Specifications**

Fish pump model	PESCAVAC 8
Vacuum pump motor	5.3kW 400V 3ph 50Hz
Inlet Ø	(200mm) 8" female cam-lock
Outlet Ø	(200mm) 8" male cam-lock
Maximum discharge head	5 m (196 in)
Maximum suction head	4 m (157 in)
Fish size	Up to 2,5kg Trout/Salmon
Fish size	Up to 1,5kg Bass/Bream/Tilapia
Dimensions (m)	2,5 L x 1,15 l x 1,5 H 98"L x 45"W x 60"H
Weight	440kg - 970lbs
Stainless steel quality	AISI 316L
Reference (fresh and sea water)	PV0801



● **Heliovision 40**



● **Specifications**

Grader model	HELIOVISION 40		
Counters configuration	3 Pescavision 30	2 Pescavision 30 1 Pescavision 50	1 Pescavision 30 2 Pescavision 50
Number of channels	3	3	3
Number of grades	3	3	3
Number of counters (Pescavision 30 or 50)	3	3	3
Channel length (mm)	2500	2500	2500
Max. channel opening (mm)	65	65	65
Number of exits and Ø (mm)	6xØ250	6xØ250	6xØ250
Min. max. weight, Trout/Salmon	40g - 1kg	40g - 1.5kg	40g - 1.5kg
Min. max. weight, Bass/Bream/Tilapia/Carp	40g - 500g	40g - 800g	40g - 800g
Hourly rate (tons/hour)	3 - 6	3 - 6	3 - 6
Weight (kg)	580	580	580
Dimensions (m)	3.9L x 1.25 l	3.9L x 1.25 l	3.9L x 1.25 l
Height (m)	1.80	1.80	1.80
Motor power 220 V 1ph (50 Hz/60 Hz) / 380 V 3ph (50 Hz/60 Hz)	0.37 kw	0.37 kw	0.37 kw
Recommended pump output (m ³ /h)	40	40	40
References (Sea water 316L)	TC40306	TC40216	TC40126

● **Power ratings and weights summary**

Machines	Power	Weight
Fish grader Heliovision 40	0,55 kw	580 kg - 1278 lbs
Fish pump PESCAVAC 8"	5,3 kw	440 kg - 970 lbs
Water pump 40 m3/h	1,1 kw	30 kg - 66 lbs

All packs are given as an example and can be modified according to the customer needs

