



8

Compact Ultra Pack

3 to 6 tons/hour

3 sizes :

- 1 Fish pump Pescamotion 8 (up to 2,5kg)
- 1 Grader Heliotion 40 (5g-1,5kg) / 3 Channel Counter
- 1 Water pump 40m³/h
- 1 Control box
- 3 Fish counters Pescavision integrated into grader

Fresh and Sea water pack
Ref : PACGO-BCUI6

40g to 1,5kg



Trout / Salmon

30g to 1kg



Tilapia

40g to 800g



Sea Bream

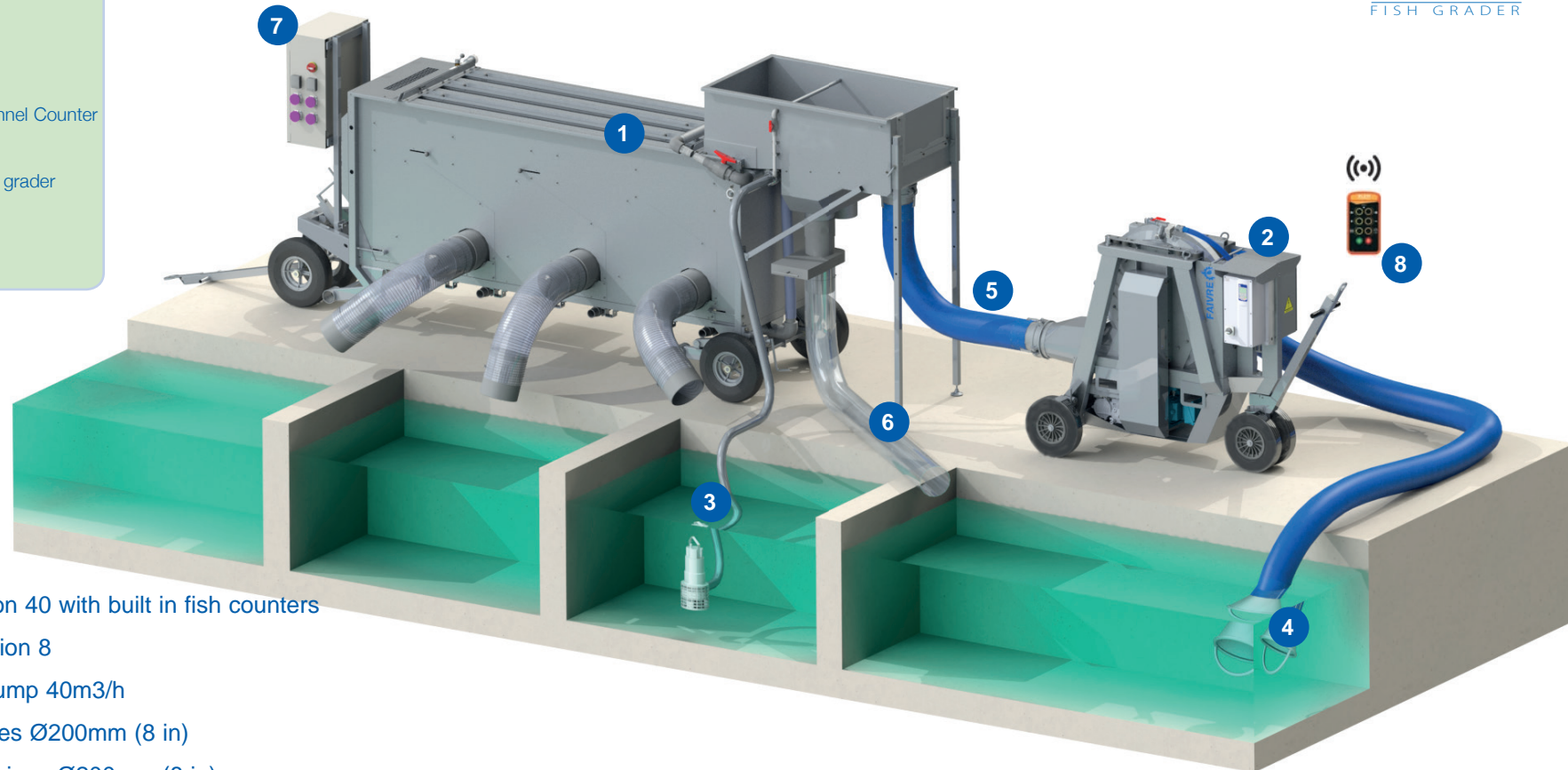
40g to 800g



Sea Bass

PESCAMOTION
Fish pump

HELIOVISION
FISH GRADER



- 1 1 Fish grader Heliotion 40 with built in fish counters
- 2 1 Fish pump Pescamotion 8
- 3 1 Submersible water pump 40m³/h
- 4 4 m suction flexible pipes Ø200mm (8 in)
- 5 6 m discharge flexible pipes Ø200mm (8 in)
- 6 5 m dewatering pipes Ø 200mm (8 in)
- 7 1 Control box
- 8 1 Fish pump Remote control



7

Electrical box to plug fish pump counters and water pump
Ref. (3x400v 50/60Hz) : THC002
Ref. (3x230v 50/60Hz) : THC006



3

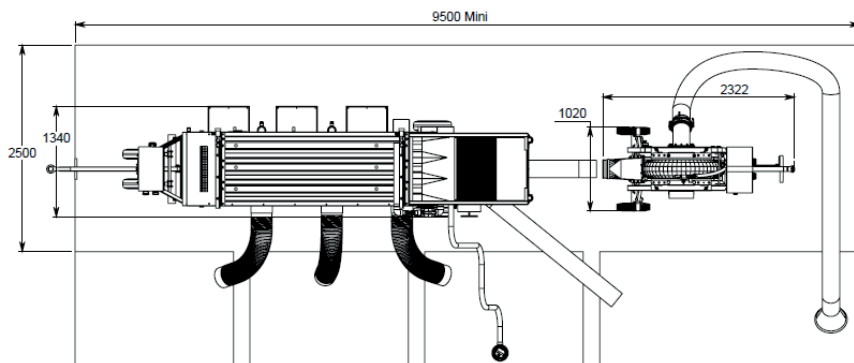
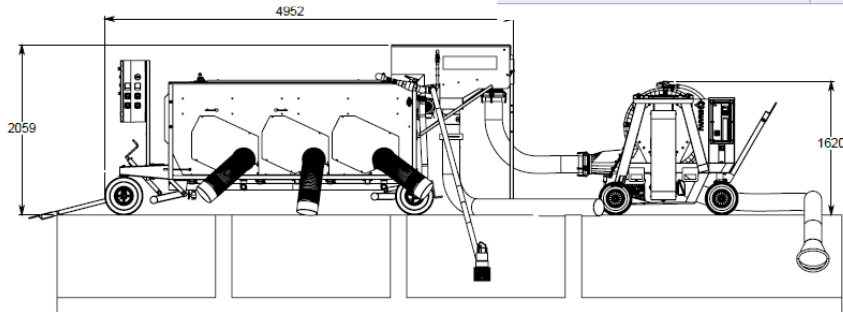
Submersible water pump delivered with 5m of flexible pipe and storz fittings to plug at grader
Ref. (Sea water 316L) : TPOW40I6T5

Pescamotion 8



Specifications

Fish pump model	PESCAMOTION 8
Main drive motor:	11kW 400 V 3ph 50 Hz
Prime control:	Frequency variator
Prime drive motor:	0.75 kW 400 V 3ph 50 Hz
Inlet Ø:	(203mm) 8 in male camlock
Outlet Ø:	(203mm) 8 in male camlock
Total dynamic head	14m - 46ft(3m suction and 11m discharge)
Fish size max.:	2500 g Trouts/Salmon
Pump speed:	100 to 390 rpm
Water flow:	380 m3/h - 1673 gpm
Dimensions (m)	1.74 L x 1,08 l x 1.64H
Weight	502 kg
Reference (fresh and sea water)	PH0802



Heliovision 40



Specifications

Grader model	HELIOVISION 40		
Counters configuration	3 Pescavision 30	2 Pescavision 30 1 Pescavision 50	1 Pescavision 30 2 Pescavision 50
Number of channels	3	3	3
Number of grades	3	3	3
Number of counters (Pescavision 30 or 50)	3	3	3
Channel length (mm)	2500	2500	2500
Max. channel opening (mm)	65	65	65
Number of exits and Ø (mm)	6xØ250	6xØ250	6xØ250
Min. max. weight, Trout/Salmon	40g - 1kg	40g - 1.5kg	40g - 1.5kg
Min. max. weight, Bass/Bream/Tilapia/Carp	40g - 500g	40g - 800g	40g - 800g
Hourly rate (tons/hour)	3 - 6	3 - 6	3 - 6
Weight (kg)	580	580	580
Dimensions (m)	3.9L x 1.25 l	3.9L x 1.25 l	3.9L x 1.25 l
Height (m)	1.80	1.80	1.80
Motor power 220 V 1ph (50 Hz/60 Hz) / 380 V 3ph (50 Hz/60 Hz)	0.37 kw	0.37 kw	0.37 kw
Recommended pump output (m³/h)	40	40	40
References (Sea water 316L)	TC40306	TC40216	TC40126

Power ratings and weights summary

Machines	Power	Weight
Fish grader Heliovision 40	0,55 kw	580 kg - 1278 lbs
Fish pump PESCAMOTION 8"	5,3 kw	502 kg - 1100 lbs
Water pump 40 m3/h	1,1 kw	30 kg - 66 lbs

All packs are given as an example and can be modified according to the customer needs

