



## 2 Compact Pack

3 to 6 tons/hour

### 3 sizes :

- 1 Fish pump PescaVac 8 (up to 3,5kg)
- 1 Grader HeliOVision 50 (40g-2,5kg) / 3 Channel Counter
- 1 Water pump 40m<sup>3</sup>/h
- 1 Control box
- 3 Fish counters PescaVision integrated into grader

Fresh and Sea water pack  
Ref : PACHR-CPT16

40g to 2,5kg



Trout / Salmon

30g to 1,5kg



Tilapia

40g to 1,5kg



Sea Bream

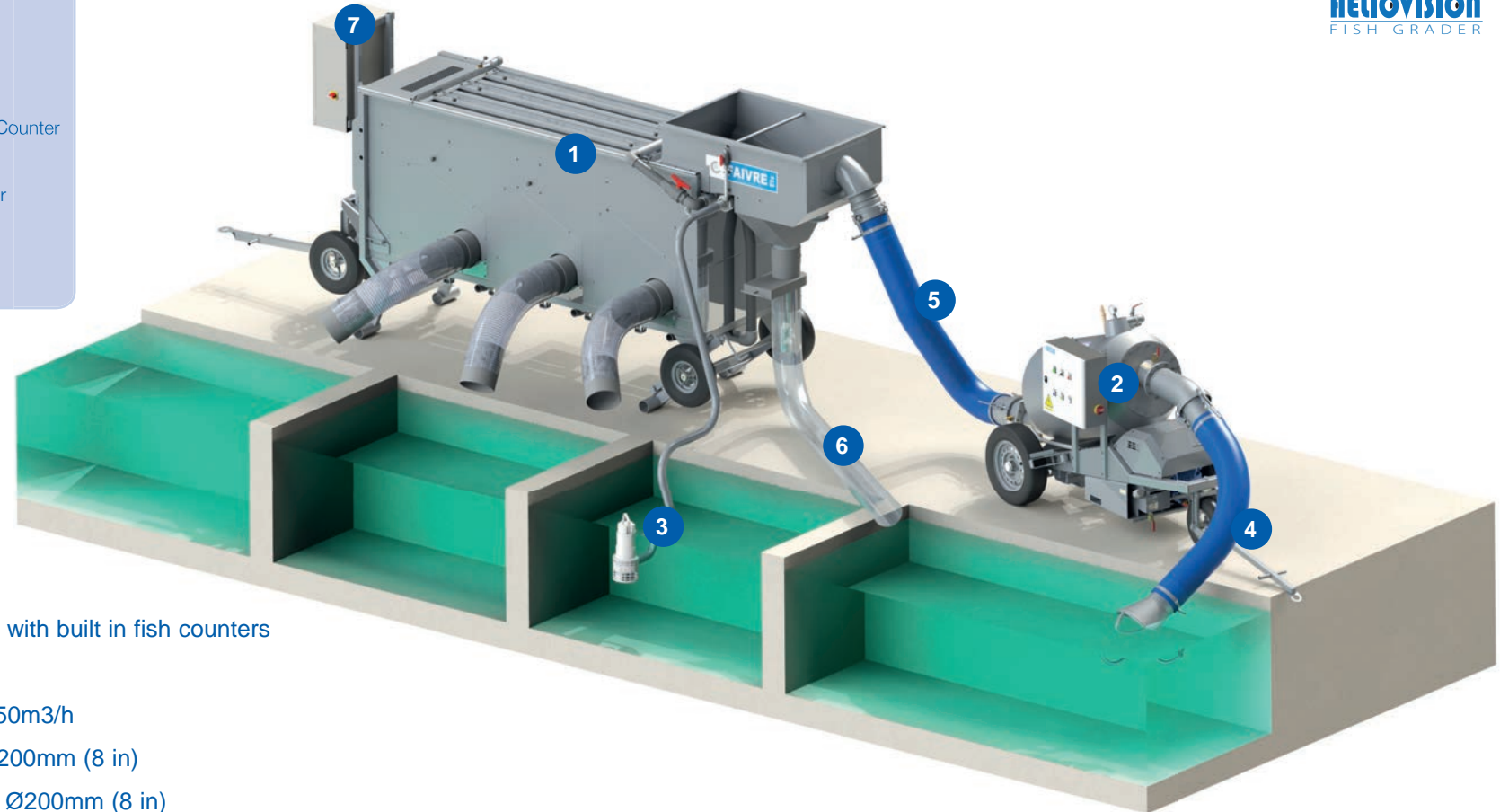
40g to 1,5kg



Sea Bass

PESCAVAC  
Fish pump

HELIOVISION  
FISH GRADER



- 1 1 Fish grader HeliOVision 50 with built in fish counters
- 2 1 Fish pump PescaVac 8
- 3 1 Submersible water pump 50m<sup>3</sup>/h
- 4 4 m suction flexible pipes Ø200mm (8 in)
- 5 6 m discharge flexible pipes Ø200mm (8 in)
- 6 5 m dewatering pipes Ø 200mm (8 in)
- 7 1 Control box



7

Electrical box to plug fish pump  
counters and water pump  
Ref. (3x400v 50/60Hz) : THC002  
Ref. (3x230v 50/60Hz) : THC006



3

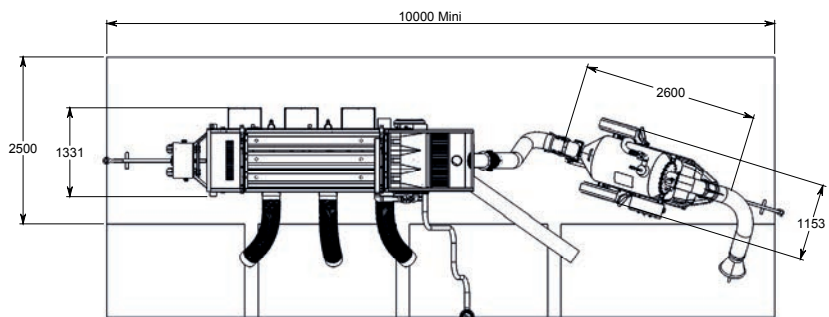
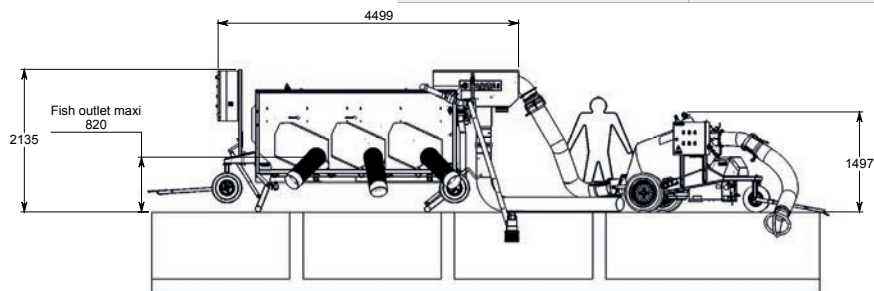
Submersible water pump delivered  
with 5m of flexible pipe and storz  
fittings to plug at grader  
Ref. (Sea water 316L) : TPOW40I6T5

● **Pescavac 8**



● **Specifications**

Fish pump model	<b>PESCAVAC 8</b>
Vacuum pump motor	5.3kW 400V 3ph 50Hz
Inlet Ø	(200mm) 8" female cam-lock
Outlet Ø	(200mm) 8" male cam-lock
Maximum discharge head	5 m (196 in)
Maximum suction head	4 m (157 in)
Fish size	Up to 2,5kg Trout/Salmon
Fish size	Up to 1,5kg Bass/Bream/Tilapia
Dimensions (m)	2,5 L x 1,15 l x 1,5 H 98"L x 45"W x 60"H
Weight	440kg - 970lbs
Stainless steel quality	AISI 316L
Reference (fresh and sea water)	PV0801



● **Heliovision 50**



● **Specifications**

Grader model	<b>HELIOVISION 50</b>		
	3 Pescavision 50	2 Pescavision 50 1 Pescavision 30	1 Pescavision 50 2 Pescavision 30
Counters configuration			
Number of channels	3	3	3
Number of grades	3	3	3
Number of counters (Pescavision 30 or 50)	3	3	3
Channel length (mm)	2400	2400	2400
Max. channel opening (mm)	75	75	75
Number of exits and Ø (mm)	6xØ250	6xØ250	6xØ250
Min. max. weight, Trout/Salmon	500g - 2.5kg	40g - 2.5kg	40g - 2.5kg
Min. max. weight, TBass/Bream/Tilapia/Carp	500g - 2kg	40g - 2kg	40g - 2kg
Hourly rate (tons/hour)	3 - 6	3 - 6	3 - 6
Weight (kg)	600	600	600
Dimensions (m)	3.7 L x 1.50 l	3.7 L x 1.50 l	3.7 L x 1.50 l
Height (m)	2.00	2.00	2.00
Motor power 220 V 1ph (50 Hz/60 Hz) / 380 V 3ph (50 Hz/60 Hz)	0.55 kw	0.55 kw	0.55 kw
Recommended pump output (m³/h)	50	50	50
References (Sea water 316L)	TC50306	TC50216	TC50126

● **Power ratings and weights summary**

Machines	Power	Weight
Fish grader Heliovision 50	0,55 kw	600 kg - 1322 lbs
Fish pump PESCAVAC 8"	5,3 kw	440 kg - 970 lbs
Water pump 40 m3/h	1,1 kw	30 kg - 66 lbs

All packs are given as an example and can be modified according to the customer needs

