

Pescamotion 8



Specifications

Fish pump model	PESCAMOTION 8
Main drive motor:	11kW 400 V 3ph 50 Hz
Prime control:	Frequency variator
Prime drive motor:	0.75 kW 400 V 3ph 50 Hz
Inlet Ø:	(203mm) 8 in male camlock
Outlet Ø:	(203mm) 8 in male camlock
Total dynamic head	14m - 46ft (3m suction and 11m discharge)
Fish size max.:	2500 g Trouts/Salmon
Pump speed:	100 to 390 rpm
Water flow:	380 m3/h - 1673 gpm
Dimensions (m)	1.74 L x 1,08 l x 1.64H
Weight	502 kg
Reference (fresh and sea water)	PH0802

Pescavision 30 & 50



Specifications

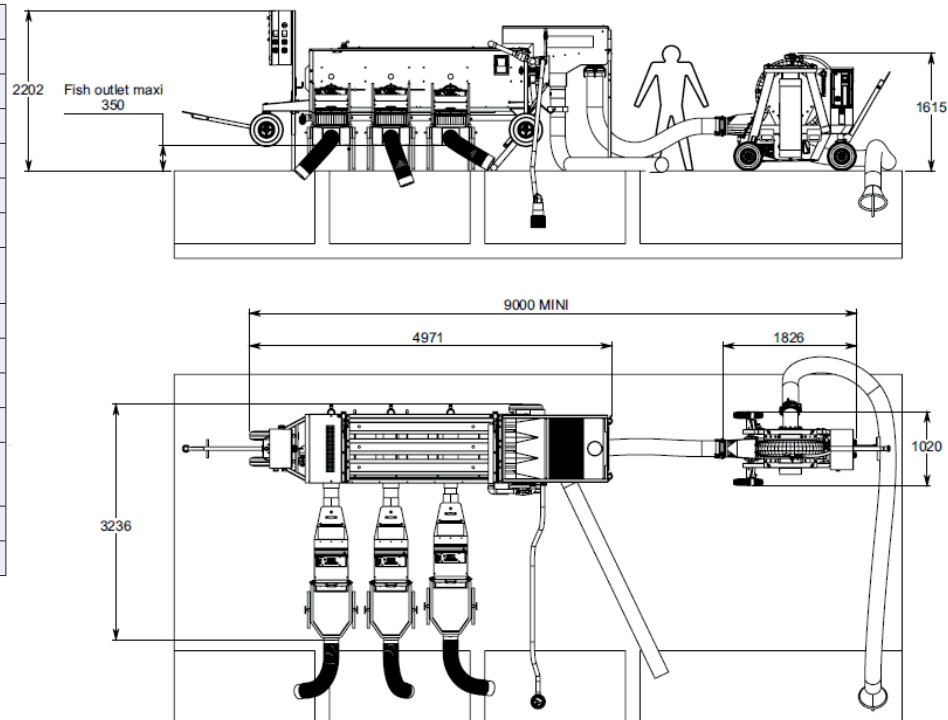
Fish counter model	PESCAVISION 30		PESCAVISION 50	
	Trouts Salmons	Bass/Bream/ Tilapia/Carp/ Perch	Trouts Salmons	Bass/Bream/ Tilapia/Carp/ Perch
Fish species				
Fish from	40g to 1kg	40g to 500g	500g to 4,5kg	500g to 3kg
Capacity (maxi)	3T/h	3T/h	4T/h	4T/h
Channels number	4	4	2	2
Channels width	100mm	100mm	200mm	200mm
Connection diameter	160mm	160mm	200mm	200mm
Accuracy	98% - 100%	98% - 100%	98% - 100%	98% - 100%
Dimensions	1,3x0,4x0,5m		1,5x0,5x0,6	
Weight	20kg		20kg	
Voltage	24v		24v	
Reference (fresh and sea water)	PESCA30		PESCA50	

Helios 50



Specifications

Grader model	HELIOS 50
Nbr of channels	3
Nbr of size	3
Length of grading channels(mm)	2500
Max. channels opening (mm)	80
Nbr of outlets Ø (mm)	6xØ250
Weight min.-max. Trout/Salmon	10g - 2,5Kg
Weight min.-max. Bass/Bream/ Tilapia/Carp	10g - 1,5Kg
Hourly rate (tons/hour)	3 - 6
Grader weight (kg)	500
Dimensions (m)	3,7x1,20
Height (m)	1,5
Motor power 220 V 1ph (50 Hz/60 Hz) / 380 V 3ph (50 Hz/60 Hz)	0,55 kw
Advice pump flow (m3/h)	50
Reference (Sea water 316L)	TH5036



Power ratings and weights summary

Machines	Power	Weight
Fish grader Helios 50	0,55 kw	500 kg - 1102 lbs
Fish pump PESCAMOTION 8"	5,3 kw	502 kg - 1100 lbs
Fish counter (one unit)	0,05 kw	24 kg - 53 lbs
Water pump 40 m3/h	1,1 kw	30 kg - 66 lbs

All packs are given as an example and can be modified according to the customer needs

