

TX3000 pH/mV Transmitter



Specifications

| | |
|---------------------------------|--|
| Measuring Range (pH) | -2.00 to 16.00pH, 0.01 pH resolution |
| Measuring Range (ORP/mV) | -1999mV to 1999mV, 1mV resolution, +/- 1mV accuracy |
| Temperature Range | -30 °C to 130 °C, 0.1 °C resolution, 0.2 °C accuracy |
| Calibration Mode | AnyTech & NIST buffers up to 2 points |
| Analog Output 1 | 0/4 -20mA, corresponding to pH or ORP output. Max load 500 Ω. |
| Analog Output 2 | 0/4 -20mA, corresponding to temperature output. Max load 500 Ω |
| Voltage Output | DC +/- 12V |
| Set-Points | Contact : 240V AC, 0.5A max Activate: 2 setpoints Hi/Low, On/Off |
| Wash Setting | Contact : 240V AC, 30V DC 5.0A max On :0-9999 seconds /Off: 0-9999 hours |
| Enclosure | NEMA 4X IP65, with push-button control pad. HWD: 144 mm (5.67") x 144 mm (5.67") x 115mm (4.53") |
| Panel Cut-Out | 138mm (5.43") x 138mm (5.43") |
| Weight | approx. 0.80kg (1.75lb) |
| Mounting Options | Panel, Wall or pipe mount |
| Ambient Temperature | 0 °C to 50 °C |
| Storage Temperature | -20 °C to 70 °C |
| Location | Designed for non-hazardous areas |
| Temperature Compensation | NTC 30K or Pt1000 RTD with automatic compensation or manual |
| Power Requirement | 100-240V AC +/- 10%, 50/60 Hz |
| Certification | CE |

2 each Voltage isolated (500 V) 4-20mA Outputs (pH or ORP and Temperature)

2 adjustable Hi/Lo relays and contacts

Large segmented display indicates pH or mV and Temperature simultaneously

NEMA 4X, IP65 enclosure

Programmable wash feature

The TX3000 pH/mV is a full-featured pH or ORP controller. Simply power up your TX3000 with 110-240V AC power and you get a controller with a wide range of useful features: 2 relays, 1 wash control, 2 each 4-20mA outputs (pH & Temp or ORP & Temp).

Calibration is easy using any 2 Tech or NIST buffers and is can be password protected with a programmable security code.

Mounting choices include: wall, panel or pipe with all fittings included.

The large multi-segmented LCD includes a backlight so it can be easily viewed in all areas.

Ordering Information

Model

| | |
|--------|--|
| TX3000 | pH/ORP Controller requires 110-240V AC power. 2 Relays, 2 each 4-20mA outputs, Wash control and more |
|--------|--|

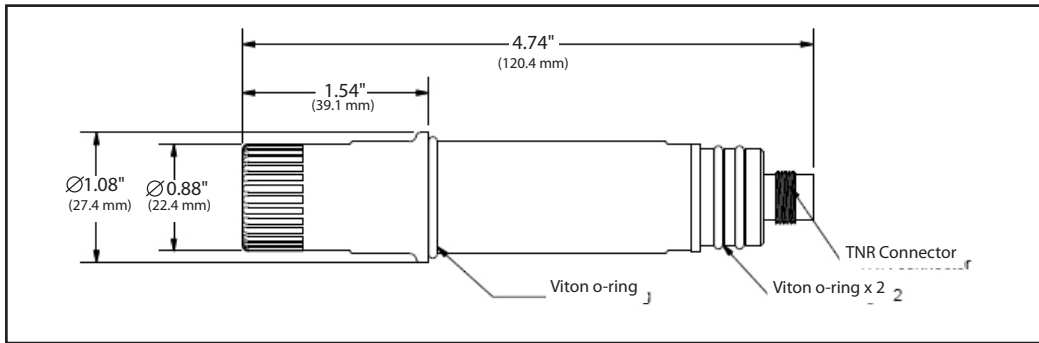
Accessories

| | |
|------|--|
| B107 | pH 7.00 buffer, 1 pint U.S. |
| B104 | pH 4.01 buffer, 1 pint U.S. |
| B110 | pH 10.00 buffer, 1 pint U.S. |
| B225 | Zobell Solution, ORP standard 225mV+/-5% |
| C110 | pH/ORP checker/simulator |

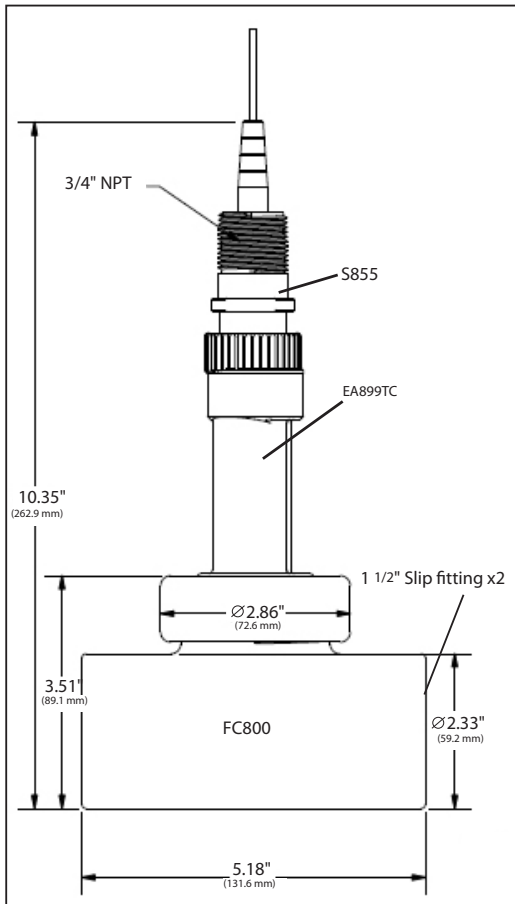
Pair any of these pH and ORP electrodes with your TX3000:

S8000 Modular pH and ORP Seies

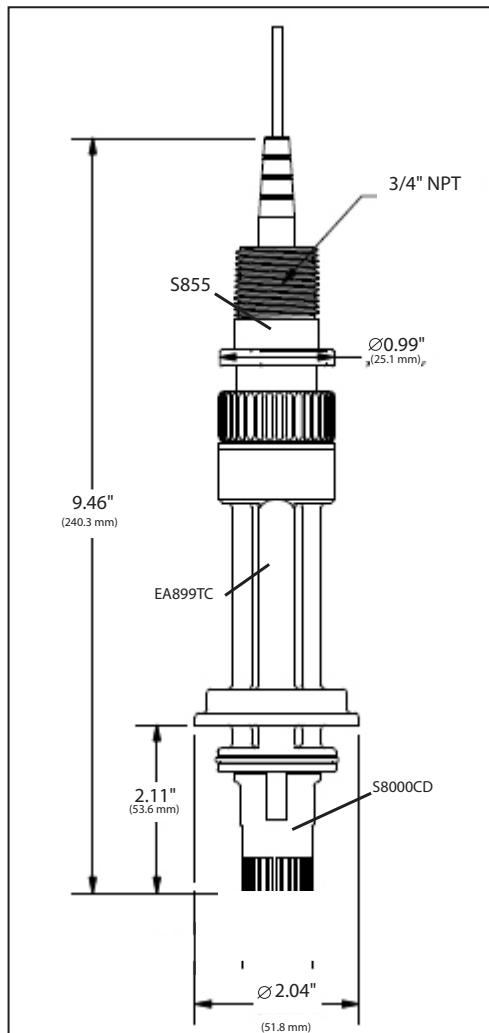
S8000CD, S8000CDHF, S8000CD-ORP, S8000CD-LC



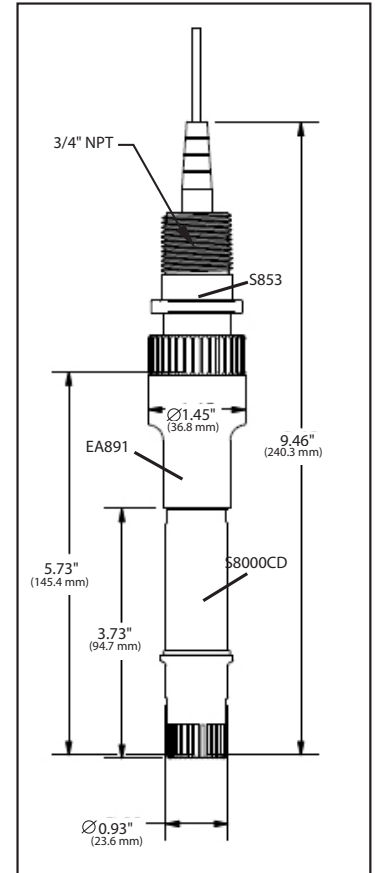
S8000CD + EA899TC + S855 + FC800



S8000CD + EA899TC + S855



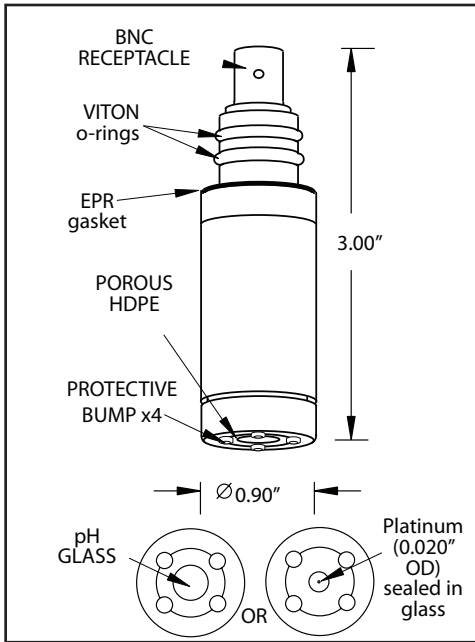
S8000CD + EA891 + S853



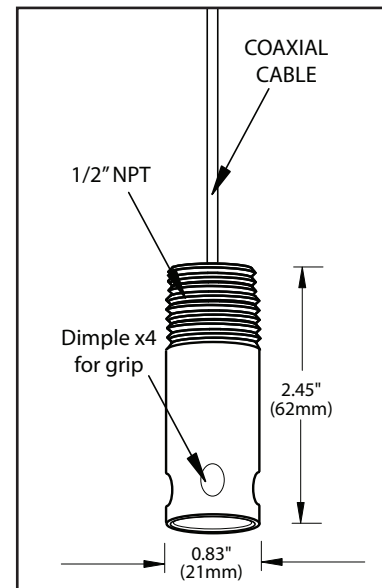
Pair any of these pH and ORP electrodes with your TX3000:

Insertion/Wet-Tap Assmblly S675, electrode cartridge S656CD

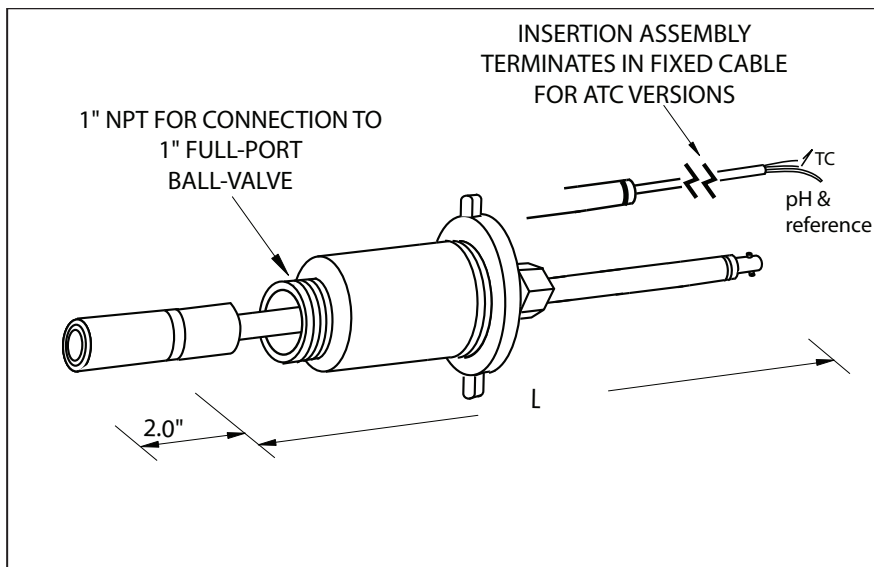
S656CD and S656CD-ORP



CPVC CABLES WITH CONDUIT CONNECTION (NO ATC) - S653



CPVC pH and ORP Insertion Assemblies (With and Without ATC) -S675, S675TC

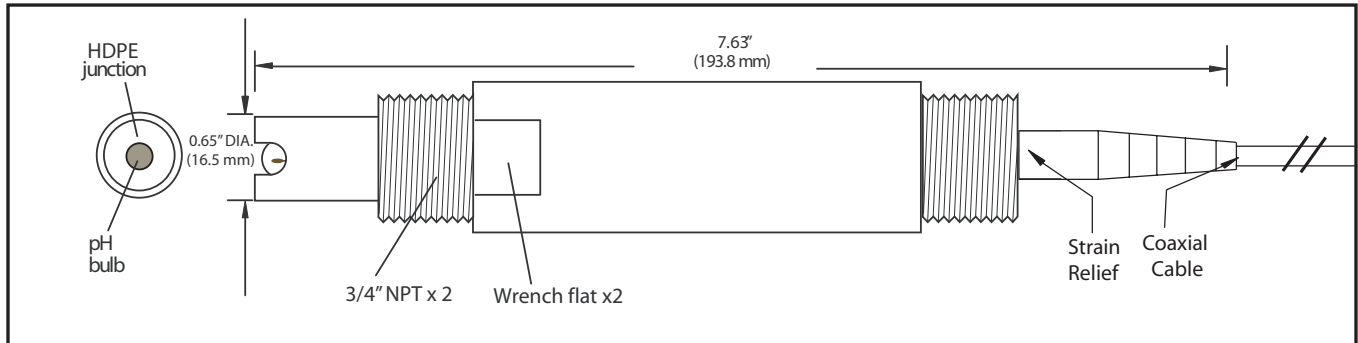


| Model No. | L(inches) |
|--------------|-----------|
| S675, S675TC | 18 |
| S676, S676TC | 24 |
| S677, S677TC | 30 |

Pair any of these pH and ORP electrodes with your TX3000:

Convertible Submersion or In-Line pH & ORP Electrodes in durable PPS bodies

S271CD



S272CD & S272TC

