



Для рыб:



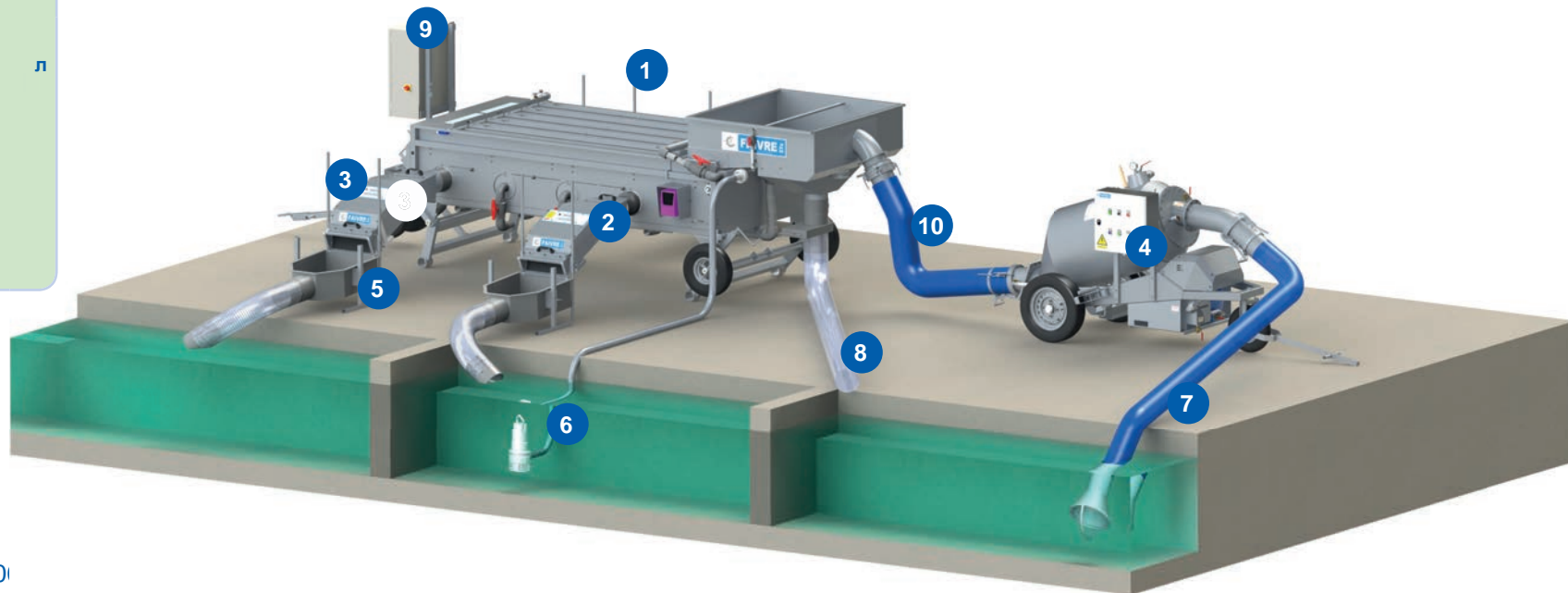
PESCAVAC
Fish pump

7

Dhfiedl
FastEco

р р р р :
ыб р р ля рыб л
р р р
б л р
рыбы р
рыбы р
р ы б р

Dhfiedleyijkghcbkheghchō
:jl : PACGO-BFEI6



- 1 Kjlbjhsbdjuļ Helios 40
- 2 klgbdjuļ3HVFDYLVLRQ
- 3 2 klgbdjuļ3HVFDYLVLRQ
- 4 1 ūfhgzhk Pescavac 8
- 5 4 jbfgučfngdjļohff
- 6 1 hjmğzñhfiž
- 7 4 fhjzkužzjmž
- 8 fljmžyhlnžoff
- 9 1 Hšbcwedljbqkdbcsbl
- 10 6 fhjzjmžzjuļff



9
Wedljbqkdbcsblēy
ihdexqgbykqlqbdzļ
juhgzhkžyghcihfiu
:jlyž&
:jlyž&



6
hjmğzñyggzñhfižklēylky
klbfjñhufñbfrežñfb
nblbgžbeyihdexqgbyd
khjlbjhsbdm
:jlkhegžñz32:;7

Pescavac 8



Specifications

Fish pump model	PESCAVAC 8
Vacuum pump motor	5.3kW 400V 3ph 50Hz
Inlet Ø	(200mm) 8" female cam-lock
Outlet Ø	(200mm) 8" male cam-lock
Maximum discharge head	5 m (196 in)
Maximum suction head	4 m (157 in)
Fish size	Up to 2,5kg Trout/Salmon
Fish size	Up to 1,5kg Bass/Bream/Tilapia
Dimensions (m)	2,5 L x 1,15 l x 1,5 H 98"L x 45"W x 60"H
Weight	440kg - 970lbs
Stainless steel quality	AISI 316L
Reference (fresh and sea water)	PV0801

Pescavision 30 & 50



Specifications

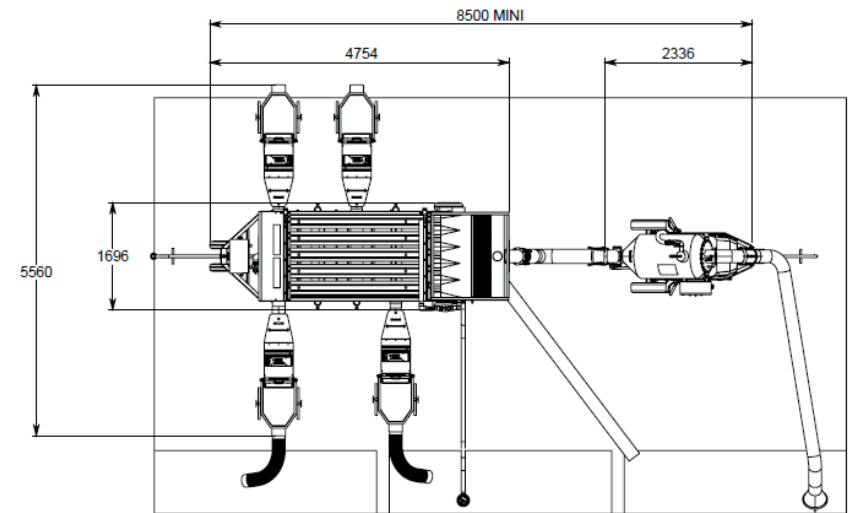
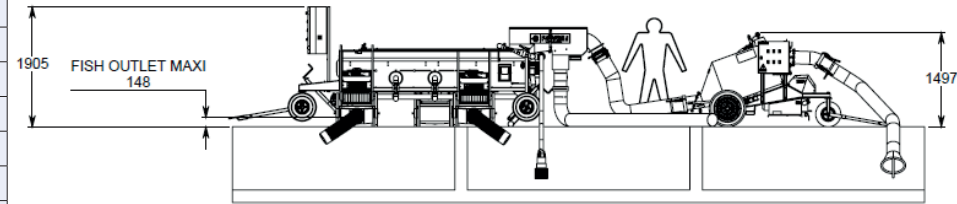
Fish counter model	PESCAVISION 30		PESCAVISION 50	
	Trouts Salmons	Bass/Bream/ Tilapia/Carp/ Perch	Trouts Salmons	Bass/Bream/ Tilapia/Carp/ Perch
Fish from	40g to 1kg	40g to 500g	400g to 4,5kg	500g to 3kg
Capacity (maxi)	3T/h	3T/h	4T/h	4T/h
Channels number	4	4	2	2
Channels width	100mm	100mm	200mm	200mm
Connection diameter	160mm	160mm	200mm	200mm
Accuracy	98% - 100%	98% - 100%	98% - 100%	98% - 100%
Dimensions	1,3x0,4x0,5m		1,5x0,5x0,6	
Weight	20kg		20kg	
Voltage	24v		24v	
Reference (fresh and sea water)	PESCA30		PESCA50	

Helios 400



Specifications

Grader model	HELIOS 400
Nbr of channels	5
Nbr of size	4
Length of grading channels(mm)	2500
Max. channels opening (mm)	65
Nbr of outlets Ø (mm)	8xØ200
Weight min.-max. Trout/Salmon	5g - 1,5Kg
Weight min.-max. Bass/Bream/ Tilapia/Carp	5g - 800g
Hourly rate (tons/hour)	4 - 6
Grader weight (kg)	520
Dimensions (m)	3,9x1,70
Height (m)	1,3
Motor power 220 V 1ph (50 Hz/60 Hz) / 380 V 3ph (50 Hz/60 Hz)	0,37 kw
Advice pump flow (m3/h)	50
Reference (Sea water 316L)	TH4056



Power ratings and weights summary

Machines	Power	Weight
Fish grader Helios 400	0,37 kw	520 kg - 1146 lbs
Fish pump PESCAVAC 8"	5,3 kw	440 kg - 970 lbs
Fish counter (one unit)	0,05kw	24 kg - 53 lbs
Water pump 50 m3/h	2,2 kw	30 kg - 66 lbs

All packs are given as an example and can be modified according to the customer needs

